



PATIO DOOR

NEW CONSTRUCTION AND REPLACEMENT
INSTALLATION INSTRUCTIONS



Warning! PLEASE READ BEFORE INSTALLING THIS PRODUCT. If installing this door in a REPLACEMENT application, you must follow the REPLACEMENT installation instructions beginning on page 6. Installing this door in a REPLACEMENT application using NEW CONSTRUCTION instructions will VOID THE WARRANTY.

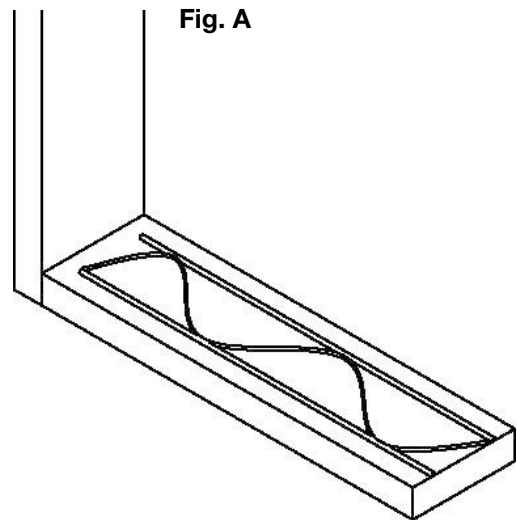
IMPORTANT: Please read ALL instructions completely before you begin. Standard two panel 5068 and 6068 doors are reversible. Instructions are included for reversing the frame and the door panel. No other configurations are field reversible. Please read all instructions thoroughly, and make sure you have the following items on hand: patio door, hardware pack and screen.

DETERMINE DOOR OPERATION

- 1 Patio Door operation is viewed from the OUTSIDE of the unit. When placing your order for Patio Doors you will need to specify whether the door is to be Right Opening or Left Opening and the door will be made to order. If you determine that your door does not need to be reversed during installation, skip to frame installation below. If you wish to have the panels reversed, the doorframe must be reversed. Please follow the instructions on page 3.

ANCHORAGE INSTRUCTIONS FOR NEW CONSTRUCTION APPLICATIONS

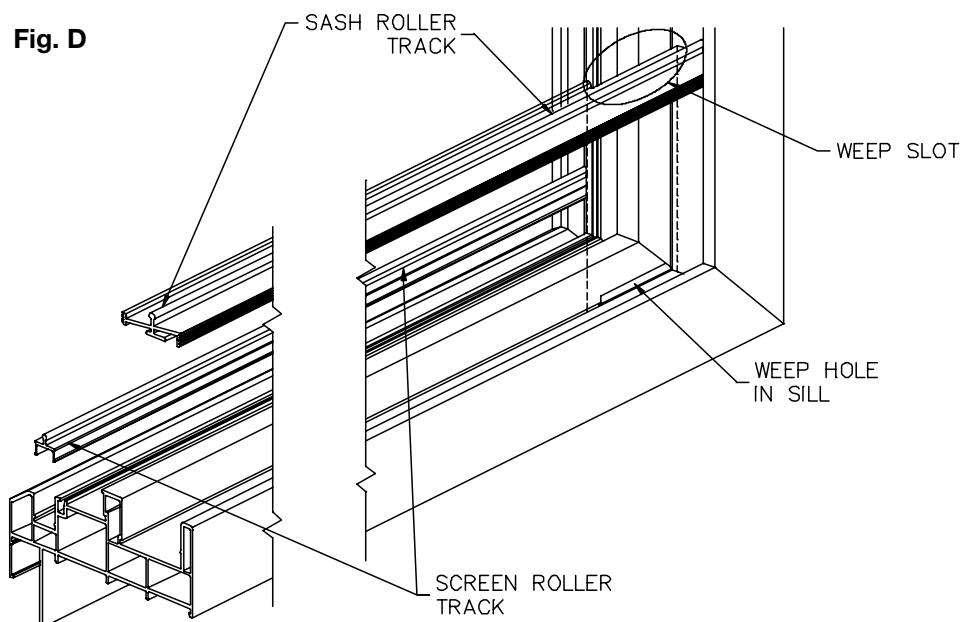
- 1 Make sure rough opening (including subfloor) is plumb, level and square. Make corrections wherever necessary.
- 2 Measure overall width and height of doorframe. Make sure door will fit into rough opening. The opening should be no more than $\frac{3}{4}$ " greater in width and $\frac{1}{2}$ " greater in height.
- 3 Remove any packaging materials from the doorframe.
- 4 Apply a minimum $\frac{1}{2}$ " bead of silicone caulking along the sill of the rough opening in a crisscross pattern. See Fig. A as an example of a crisscross pattern.
- 5 Apply a continuous $\frac{3}{16}$ "– $\frac{1}{4}$ " bead of silicone caulk around exterior face of rough opening, about $\frac{1}{2}$ " from edge to MAINTAIN A PERMANENT SEAL between sheathing and nailing fins.
- 6 Set unit into rough opening so that the operable sash will be on the inside of the house. From the outside, place a corrosion-resistant fastener long enough to penetrate a structural member at least 1" in the top corner of the nailing fin. Shim where necessary to make unit plumb and square. Be sure to leave a $\frac{1}{8}$ "– $\frac{1}{4}$ " space between the frame and the rough opening. Once the unit is level, place a fastener in the opposing top corner of the nailing fin. Begin securing the frame in the rough opening by placing a fastener through every other pre-punched hole on the nailing fins. Make adjustments in fastener size for different sheathing thickness or applications. Flashing applications vary greatly; to meet the specific requirements please check your local/regional code.
- 7 Remove the "transport" screws that anchor the lock keeper to the frame. Reinstall the lock keeper using #8 x 2 $\frac{1}{2}$ " pan head screws provided in the lock handle kit to more aggressively anchor the lock keeper to your opening. Place shim between frame and opening in area of keeper to prevent bowing of frame. **NOTE: If finishing off the exterior with brick, stone, stucco, etc., make sure to leave at least $\frac{1}{4}$ " gap around the frame to allow for expansion of materials and mortar.**



REVERSING THE DOOR FRAME

- 1 Remove packaging materials from doorframe.
- 2 Remove the screen by retracting the screen rollers and lifting screen out of the frame. Please follow the instructions as detailed on the screen frame.
- 3 Move the sliding panel toward the center of the frame. Remove the panel by retracting the rollers and lifting it out of the frame. Refer to the drawing in *Installing The Sliding Panel* on Page 4 for details on retracting the panel rollers.
- 4 Remove screen roller track from screen track channel, as shown below in Fig. D.
- 5 Remove sash roller track out of the track channel, as shown below in Fig. D.
- 6 Remove bumper stop out of the head track channel.
- 7 Carefully turn complete frame around so stationary panel is in the opposite position.
- 8 Snap sash roller track, bumper stop and screen track into place by reversing Steps #4, #5 and #6. Make sure the weep slots are toward the outside on the roller track, as shown below in Fig. D.

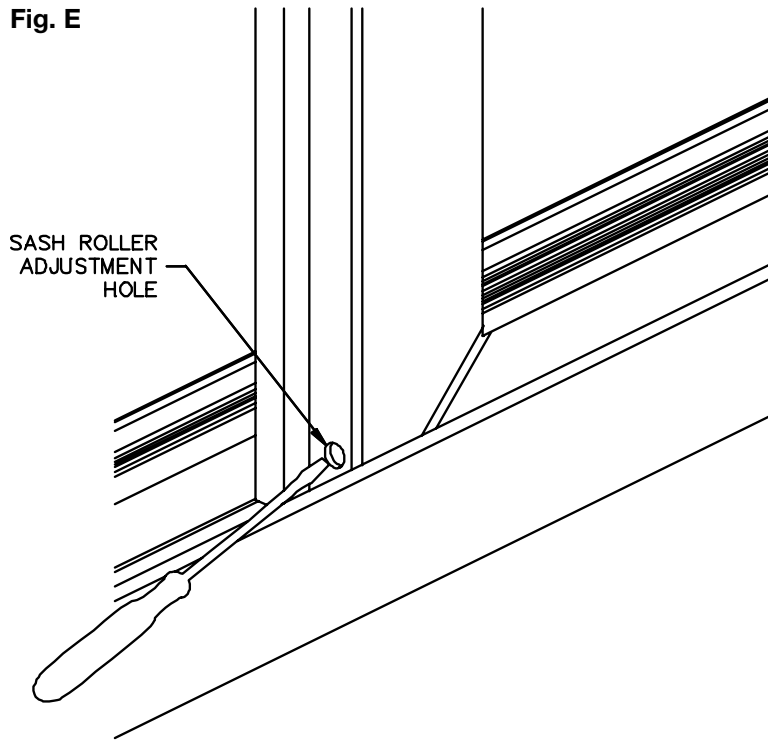
NOTE: If you did not remove the sliding panel and reverse the frame, skip to *Sliding Panel Adjustment And Removal*. If you have reversed the frame for your application you will need to follow the instructions for reversing the panel.



REVERSING THE SLIDING PANEL

- 1** You may need to turn the adjustment screw to raise or lower the rollers for easier removal. The adjustment hole can be found behind the plastic hole cover at the bottom of the panel. (Fig E.) To remove the panel, slide it open about 12" toward center. Turn adjustment screws counterclockwise to completely retract rollers. Grasp both sides of panel and lift it up into frame. Pull bottom of panel toward you and remove from frame. Turn panel around so the top roller openings are at the bottom.

Fig. E



- 2** Use a Phillips screwdriver to remove both screws and remove the roller from the bottom of the panel.
- 3** Insert roller assembly into opening, pushing the adjustment screw into position in the side adjustment hole.
- 4** Hold the roller assembly in place and fasten with the original screws.
NOTE: Rollers are easier to adjust if there is no weight on them.

INSTALLING THE SLIDING PANEL

- 1 Position the sliding panel near the center of the frame and lift the panel up and into the head channel. Carefully push bottom of panel away from you until it clears the inside of the sill and is positioned properly in the frame channel. The rollers must be correctly seated on the roller track or the panel will not operate smoothly.
- 2 Adjust the operable sash rollers up or down at the outside corners of the operable sash. Open and close the sash to check operation. Also, check that sash and frame have even reveals from top to bottom.
- 3 Re-insert the plastic hole covers at the top and bottom of the panel.

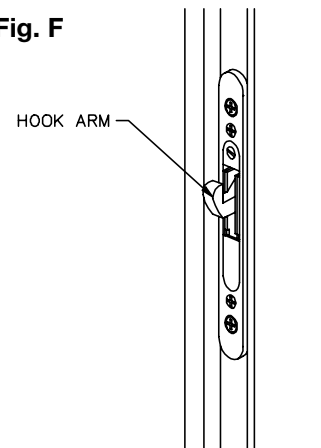
COMPLETE INTERIOR AND EXTERIOR FINISH

- 1 Finish off the interior of the door. Insert insulation between the doorframe and the rough opening. Avoid bowing the frame by over packing the insulation. Trim around the interior of the head and jambs. Weep hole plugs found in the lock handle set package can be inserted in the exterior holes located at the HEAD of the door to discourage insects from entering. **DO NOT PLACE THE WEEP HOLE COVER AT THE DOOR SILL! (FIELD REVERSIBLE DOORS ONLY.)** Finish off the exterior of the door. Seal the entire perimeter of the door with the proper grade of sealant. Trim and cap off where necessary. Do not cover weeps.

REVERSING THE LOCK

- 1 **NOTE: The lock mechanism is factory-installed in the active panel. If you have reversed the panel, the lock must also be reversed. Procedure similar for an optional multi-point lock.** Locate the lock slot, which is visible through one of the large handle holes. Use a slotted screwdriver to turn the lock slot until the hook arm is fully extended.
- 2 Use a Phillips screwdriver to remove the top lock installation screw.
- 3 Grasp hook arm **FIRMLY** with your fingers and remove second installation screw.
- 4 Continue holding the hook arm securely and push lock mechanism slightly inward, then upward, until the bottom of the lock clears the lock opening.
- 5 Pull bottom end of the lock out of opening and remove lock.
- 6 Turn lock around so hook arm faces upward. (Fig. F)

Fig. F



7 Hold hook arm and insert top of lock into opening.

8 Slide lock into place, aligning the lock screw holes with holes in the vinyl sash.

9 Fasten with the installation screws.

STANDARD LOCK HANDLE INSTALLATION

1 All patio doors come equipped with a handle set which includes an interior and exterior handle and key lock. Assembly instructions to attach the Lock Handle to the panel can be found in the packet with the Lock Handle set.

LOCK KEEPER

1 Remove the “transport” screws that anchor the lock keeper to the doorframe. Reinstall the lock keeper using #8 x 2 1/2" pan head screws provided in the packet in the lock handle kit. Place shim between frame and opening in area of keeper to prevent bowing of frame.

FOOT BOLT (OPTIONAL)

1 An “Optional” foot bolt is available which includes a bolt assembly and locking plate. Assembly instructions for this are enclosed in the packet with the foot bolt set. The foot bolt WILL NOT be factory installed.

INSTALLING THE SCREEN

1 Please follow the install instructions as detailed on the screen frame.

CARE AND MAINTENANCE

1 DO NOT paint, stain or varnish any vinyl surface.

2 Clean the vinyl doorframe and inserts with soap and water. Vinyl cleaning products may also be used.

3 Be sure that exterior weep holes do not become obstructed and interior track is kept free of debris so that door will drain properly.

Warning! PLEASE READ BEFORE INSTALLING THIS PRODUCT. If installing this door in a NEW CONSTRUCTION application, you must follow the NEW CONSTRUCTION installation instructions beginning on page 1. Installing this door in a NEW CONSTRUCTION application using REPLACEMENT instructions will VOID THE WARRANTY.

IMPORTANT: Please read ALL instructions completely before you begin. Standard two panel 5068 and 6068 doors are reversible. Instructions are included for reversing the frame and the door panel. No other configurations are field reversible. Please read all instructions thoroughly, and make sure you have the following items on hand: patio door, hardware pack and screen.

DETERMINE DOOR OPERATION

- 1 Patio Door operation is viewed from the OUTSIDE of the unit. When placing your order for Patio Doors you will need to specify whether the door is to be Right Opening or Left Opening and the door will be made to order. If you determine that your door does not need to be reversed during installation, skip to frame installation below. If you wish to have the panels reversed, the doorframe must be reversed. Please follow the instructions on page 3.

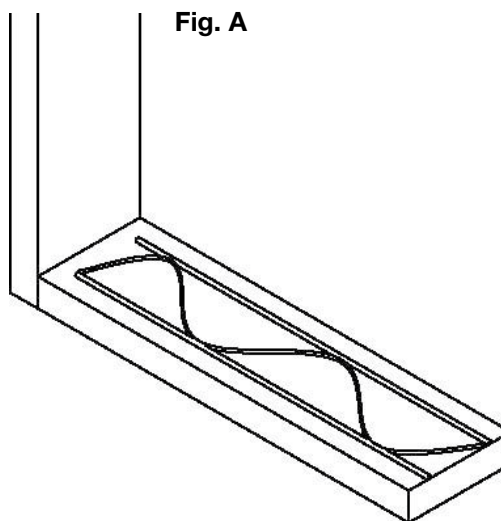
ANCHORAGE INSTRUCTIONS FOR REPLACEMENT APPLICATIONS

- 1 Make sure rough opening (including subfloor) is plumb, level and square. Make corrections wherever necessary.

- 2 Measure overall width and height of doorframe. Make sure door will fit into rough opening. The opening should be no more than $\frac{3}{4}$ " greater in width and $\frac{1}{2}$ " greater in height.

- 3 Remove any packaging materials from the doorframe.

- 4 Apply a minimum $\frac{1}{2}$ " bead of silicone caulking along the sill of the rough opening in a crisscross pattern. See Fig. A as an example of a crisscross pattern. **NOTE: If finishing off the exterior with brick, stone, stucco, etc., make sure to leave at least $\frac{1}{4}$ " gap around the frame to allow for expansion of materials and mortar.**



- 5 Set unit into the rough opening so that the operable sash will be on the inside of the house. Shim at screw locations and where necessary to make plumb, level and square. Once the unit is level, begin anchoring the door in the rough opening. Screw holes in the jambs are pre-punched from the factory, additional holes must be drilled in the head (see FIG. B & C). Use supplied covers to cap screw holes.

- 6 Fasten the doorframe to the opening using supplied #10 x 2 $\frac{1}{2}$ " screws in each jamb AND across the head. **Do not over tighten the screws as this could cause the frame to bow.** See Fig. B and C for appropriate fastener locations in jambs and head. Screw holes in the head of the frame are NOT pre-drilled from the factory.

- 7 Remove the "transport" screws that anchor the lock keeper to the frame. Reinstall the lock keeper using #8 x 2 $\frac{1}{2}$ " pan head screws provided in the lock handle kit to more aggressively anchor the lock keeper to your opening. Place shim between frame and opening in area of keeper to prevent bowing of frame.

Fig. B

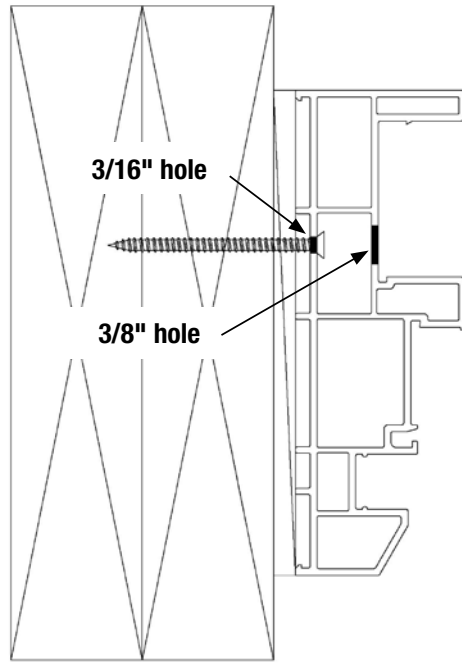
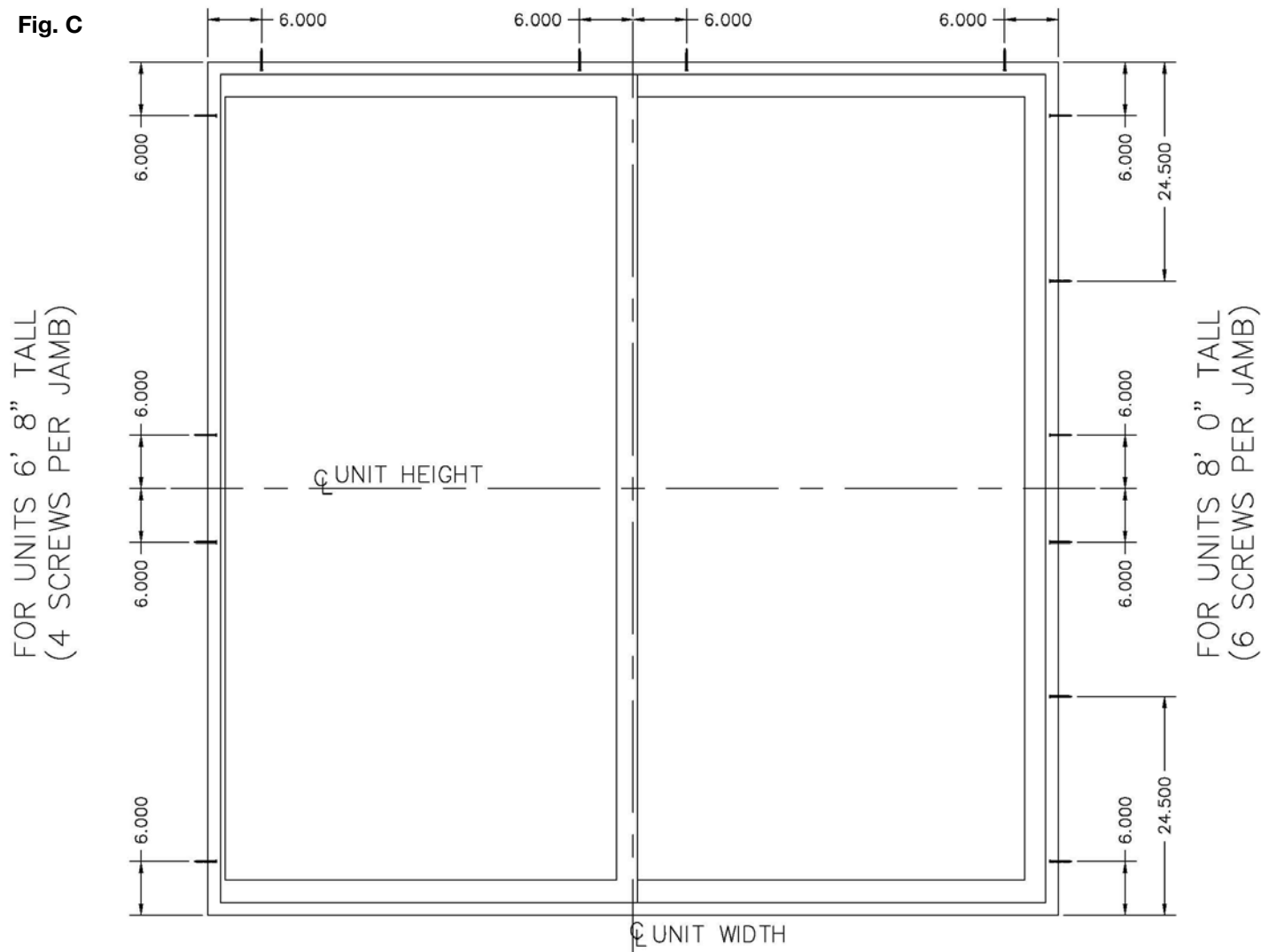


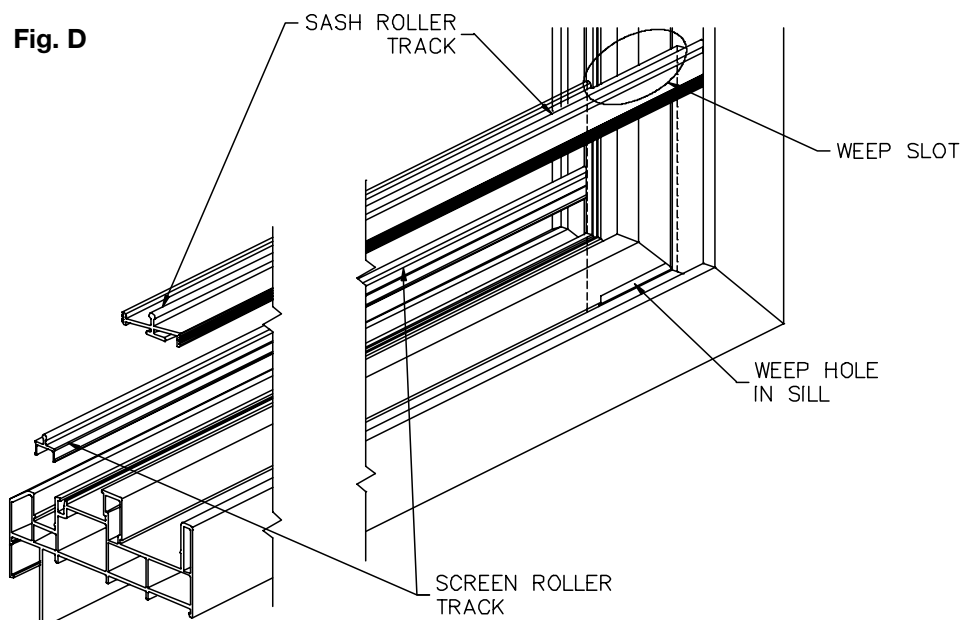
Fig. C



REVERSING THE DOOR FRAME

- 1** Remove packaging materials from doorframe.
- 2** Remove the screen by retracting the screen rollers and lifting screen out of the frame. Please follow the instructions as detailed on the screen frame.
- 3** Move the sliding panel toward the center of the frame. Remove the panel by retracting the rollers and lifting it out of the frame. Refer to the drawing in *Installing The Sliding Panel* on Page 4 for details on retracting the panel rollers.
- 4** Remove screen roller track from screen track channel, as shown below in Fig. D.
- 5** Remove sash roller track out of the track channel, as shown below in Fig. D.
- 6** Remove bumper stop out of the head track channel.
- 7** Carefully turn complete frame around so stationary panel is in the opposite position.
- 8** Snap sash roller track, bumper stop and screen track into place by reversing Steps #4, #5 and #6. Make sure the weep slots are toward the outside on the roller track, as shown below in Fig. D.

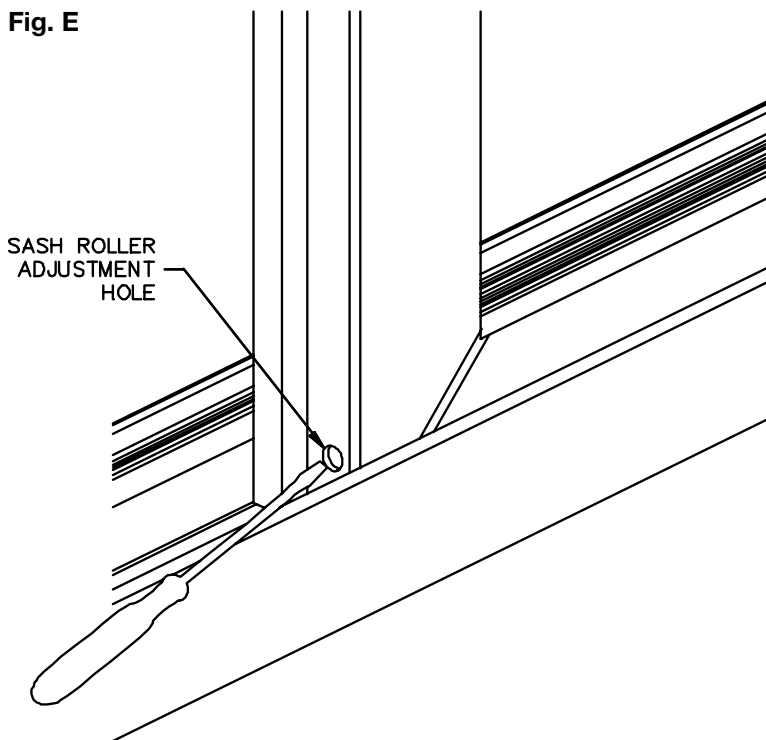
NOTE: If you did not remove the sliding panel and reverse the frame, skip to *Sliding Panel Adjustment And Removal*. If you have reversed the frame for your application you will need to follow the instructions for reversing the panel.



REVERSING THE SLIDING PANEL

- 1** You may need to turn the adjustment screw to raise or lower the rollers for easier removal. The adjustment hole can be found behind the plastic hole cover at the bottom of the panel. (Fig E.) To remove the panel, slide it open about 12" toward center. Turn adjustment screws counterclockwise to completely retract rollers. Grasp both sides of panel and lift it up into frame. Pull bottom of panel toward you and remove from frame. Turn panel around so the top roller openings are at the bottom.

Fig. E



- 2** Use a Phillips screwdriver to remove both screws and remove the roller from the bottom of the panel.
- 3** Insert roller assembly into opening, pushing the adjustment screw into position in the side adjustment hole.
- 4** Hold the roller assembly in place and fasten with the original screws.
NOTE: Rollers are easier to adjust if there is no weight on them.

INSTALLING THE SLIDING PANEL

- 1 Position the sliding panel near the center of the frame and lift the panel up and into the head channel. Carefully push bottom of panel away from you until it clears the inside of the sill and is positioned properly in the frame channel. The rollers must be correctly seated on the roller track or the panel will not operate smoothly.
- 2 Adjust the operable sash rollers up or down at the outside corners of the operable sash. Open and close the sash to check operation. Also, check that sash and frame have even reveals from top to bottom.
- 3 Re-insert the plastic hole covers at the top and bottom of the panel.

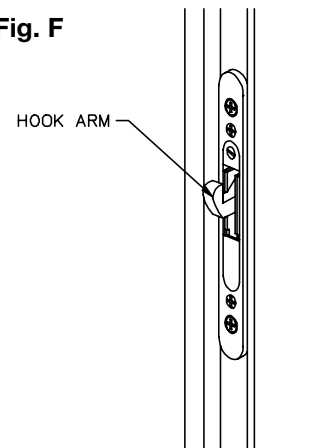
COMPLETE INTERIOR AND EXTERIOR FINISH

- 1 Finish off the interior of the door. Insert insulation between the doorframe and the rough opening. Avoid bowing the frame by over packing the insulation. Trim around the interior of the head and jambs. Weep hole plugs found in the lock handle set package can be inserted in the exterior holes located at the HEAD of the door to discourage insects from entering. **DO NOT PLACE THE WEEP HOLE COVER AT THE DOOR SILL! (FIELD REVERSIBLE DOORS ONLY.)** Finish off the exterior of the door. Seal the entire perimeter of the door with the proper grade of sealant. Trim and cap off where necessary. Do not cover weeps.

REVERSING THE LOCK

- 1 **NOTE: The lock mechanism is factory-installed in the active panel. If you have reversed the panel, the lock must also be reversed. Procedure similar for an optional multi-point lock.** Locate the lock slot, which is visible through one of the large handle holes. Use a slotted screwdriver to turn the lock slot until the hook arm is fully extended.
- 2 Use a Phillips screwdriver to remove the top lock installation screw.
- 3 Grasp hook arm **FIRMLY** with your fingers and remove second installation screw.
- 4 Continue holding the hook arm securely and push lock mechanism slightly inward, then upward, until the bottom of the lock clears the lock opening.
- 5 Pull bottom end of the lock out of opening and remove lock.
- 6 Turn lock around so hook arm faces upward. (Fig. F)

Fig. F



7 Hold hook arm and insert top of lock into opening.

8 Slide lock into place, aligning the lock screw holes with holes in the vinyl sash.

9 Fasten with the installation screws.

STANDARD LOCK HANDLE INSTALLATION

1 All patio doors come equipped with a handle set which includes an interior and exterior handle and key lock. Assembly instruction to attach the Lock Handle to the panel can be found in the packet with the Lock Handle set.

LOCK KEEPER

1 Remove the “transport” screws that anchor the lock keeper to the doorframe. Reinstall the lock keeper using #8 x 2 1/2" pan head screws provided in the packet in the lock handle kit. Place shim between frame and opening in area of keeper to prevent bowing of frame.

FOOT BOLT (OPTIONAL)

1 An “Optional” foot bolt is available which includes a bolt assembly and locking plate. Assembly instructions for this are enclosed in the packet with the foot bolt set. The foot bolt WILL NOT be factory installed.

INSTALLING THE SCREEN

1 Please follow the install instructions as detailed on the screen frame.

CARE AND MAINTENANCE

1 DO NOT paint, stain or varnish any vinyl surface.

2 Clean the vinyl doorframe and inserts with soap and water. Vinyl cleaning products may also be used.

3 Be sure that exterior weep holes do not become obstructed and interior track is kept free of debris so that door will drain properly.